

Sides pread-AllSpreader

The spreader that will MIX and SPREAD any Material!

Lime – Gypsum – Fertilizer – Seed – Sprigs – Chicken Litter – Mulch – Salt – Black Wonder 5000 – and other Compost



Sides
pread-AllSpreader

The spreader that will MIX and SPREAD any material

www.sidesspreaders.com

(877)733-3464



PARTS CATALOG

TABLE OF CONTENTS

COMPONENTS BY SIDES SPREADER.....	3
STANDARD HOPPER COMPONENTS AND WEAR PARTS	4
NARROW ROW HOPPER COMPONENTS AND WEAR PARTS.....	5
LOWER HOPPER AND AUGER SHAFT COMPONENTS.....	6
AUGER INPUT SHAFT.....	10
SLIDE GATE HANDLE COMPONENTS.....	12
SLINGER PLATE COMPONENTS	14
SLINGER PLATE INPUT SHAFT.....	15
ACCESSORIES, MAINFRAME AND OTHER COMPONENTS.....	17



PARTS CATALOG

COMPONENTS BY SIDES SPREADER

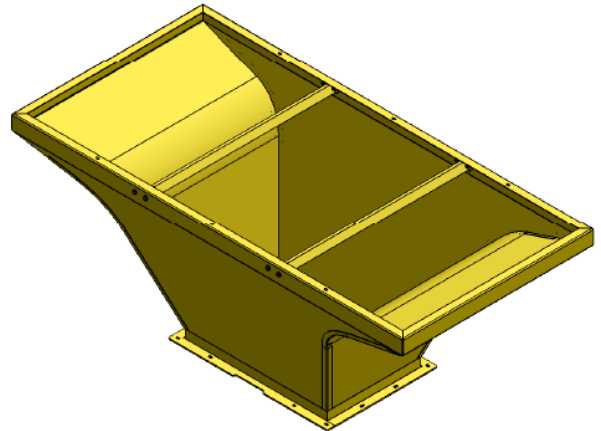
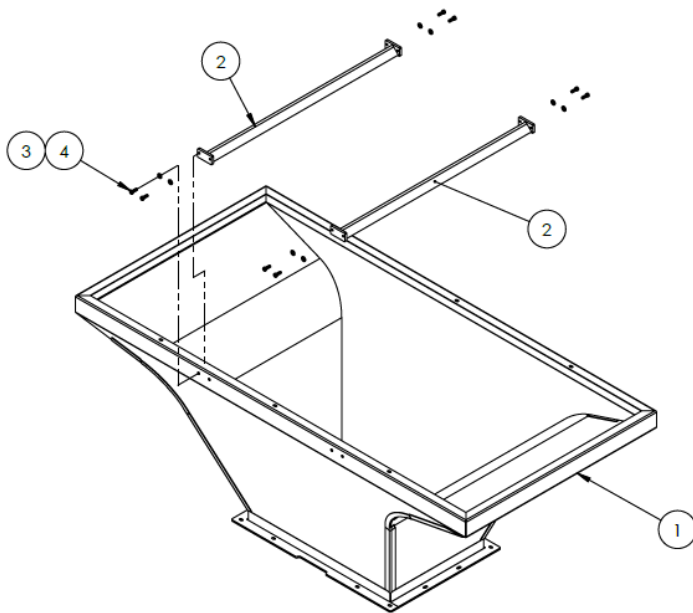
Listed below are parts that are manufactured and sold by Sides Spreaders and Equipment Company only.

Please call our main office at (877)733-3464 to order replacement parts.

PARTS CATALOG

STANDARD HOPPER COMPONENTS AND WEAR PARTS

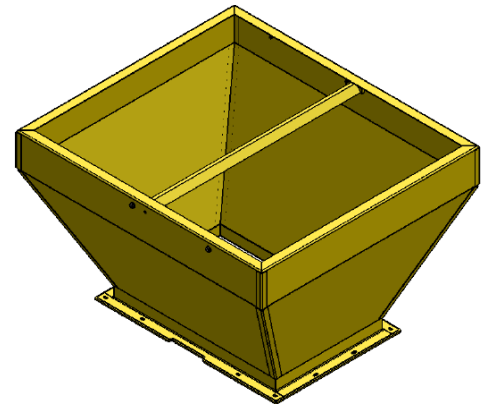
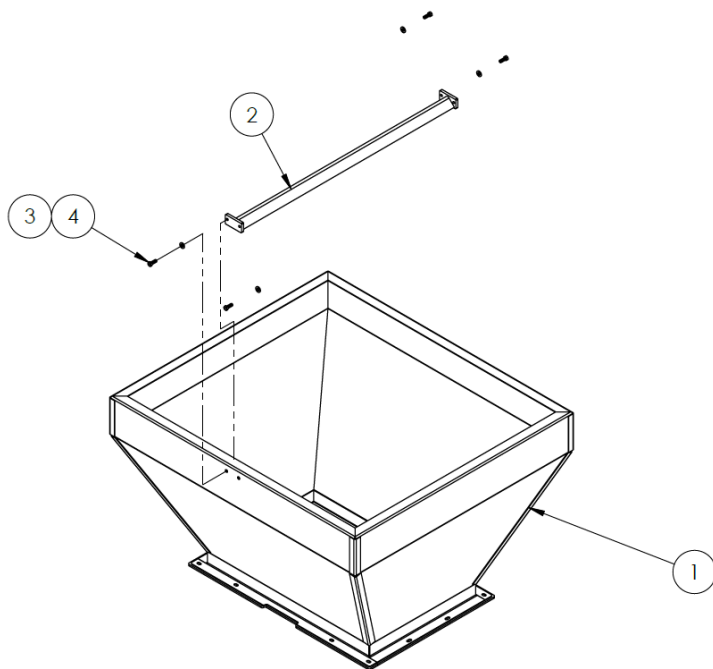
ITEM NO.	PART NO.	DESCRIPTION	QTY.
1	SHW-0001	STANDARD HOPPER WELDMENT	1
2	RGS-0000	ROCK GUARD SUPPORT WELDMENT	2
3	GHW-0001	3/8" FLAT WASHER, ZINC PLATED	8
4	GHW-0010	3/8"-16 UNC X 1" LG HEX BOLT, GRADE 5, ZINC PLATED	8



PARTS CATALOG

NARROW ROW HOPPER COMPONENTS AND WEAR PARTS

ITEM NO.	PART NO.	DESCRIPTION	QTY.
1	NRHW-0001	NARROW ROW HOPPER WELDMENT	1
2	RGS-0000	ROCK GUARD SUPPORT WELDMENT	1
3	GHW-0001	3/8" FLAT WASHER, ZINC PLATED	4
4	GHW-0010	3/8"-16 UNC X 1" LG HEX BOLT, GRADE 5, ZINC PLATED	4

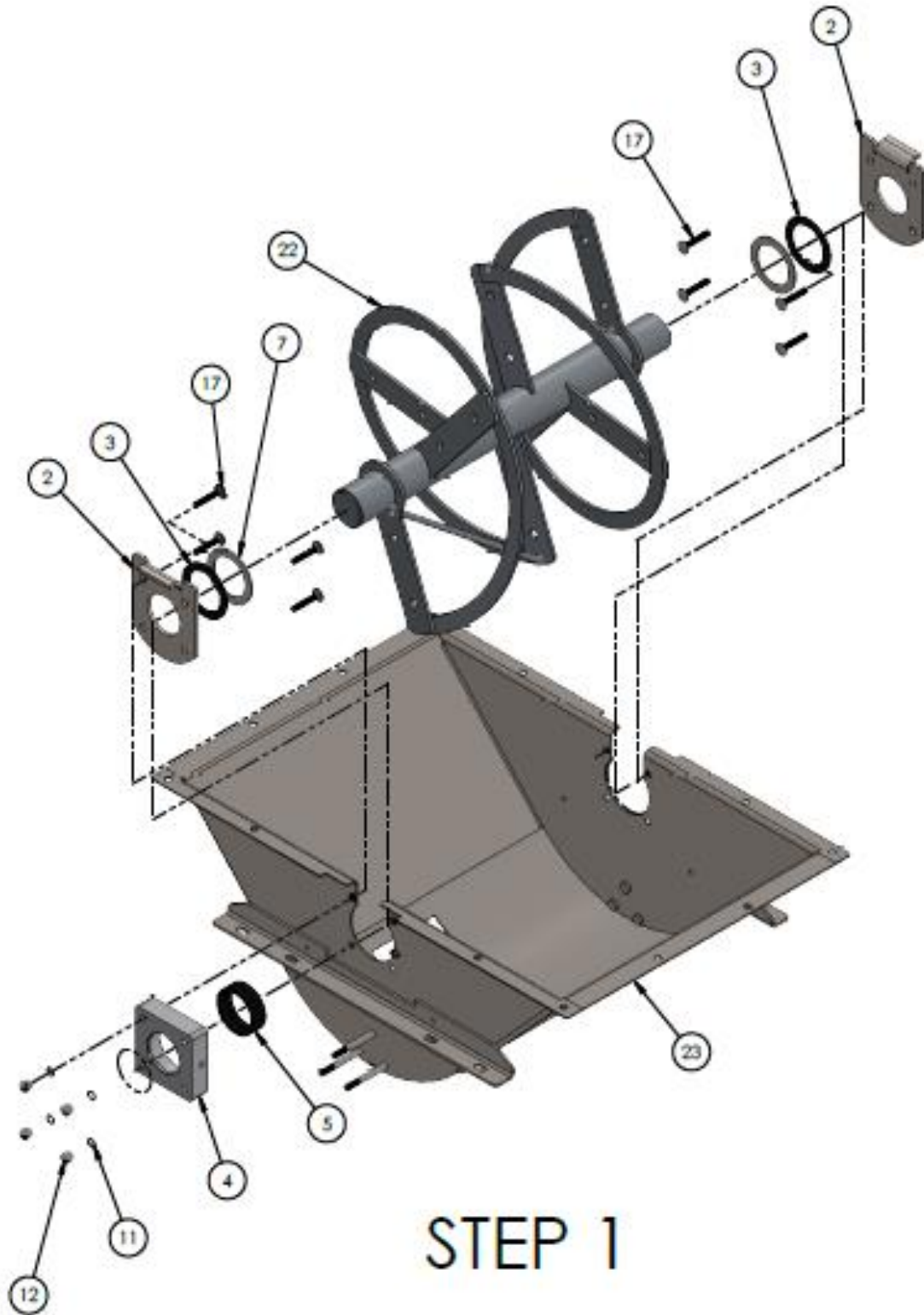


PARTS CATALOG

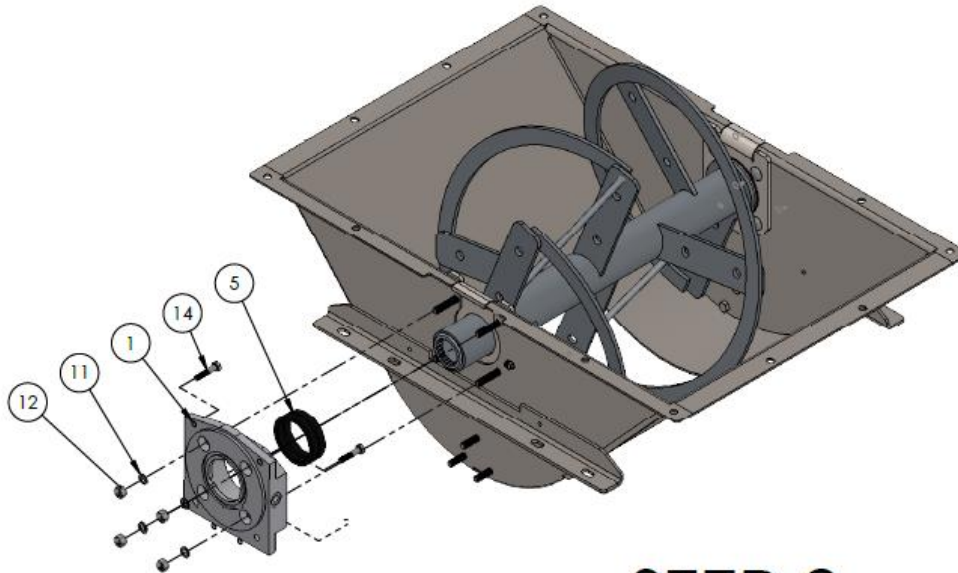
LOWER HOPPER AND AUGER SHAFT COMPONENTS

ITEM NO.	PART NO.	DESCRIPTION	QTY.
1	ASC-0001	GEARBOX MOUNTING PLATE	1
2	ASC-0003	AUGER SHAFT BUSHING HOUSING RETAINER	2
3	ASC-0004	QTY.C4	2
4	ASC-0005	AUGER SHAFT BUSHING HOUSING	1
5	ASC-0006	AUGER SHAFT BUSHING	2
6	ASC-0008	WARN GEARBOX	1
7	ASC-0009	AUGER SHAFT THRUST BUSHING, SS	2
8	ASC-0010	GEARBOX SHAFT CENTERING BUSHING	1
9	ASIA-0010	WARN GEARBOX INPUT SHAFT SEAL	1
10	GHW-0001	3/8" FLAT WASHER, ZINC PLATED	9
11	GHW-0003	3/8" FLAT WASHER, 18-8 SS	8
12	GHW-0004	3/8"-16 UNC HEX NUT, 18-8 SS	8
13	GHW-0005	3/8"-16 UNC HEX NUT, GRADE 5, ZINC PLATE	7
14	GHW-0007	5/16"-18 UNC X 1 1/2" LG HEX BOLT, GRADE 5, ZINC PLATED	2
15	GHW-0008	5/16"-18UNC FLAT WASHER, ZINC PLATED	2
16	GHW-0009	5/16"-18 UNC HEX NUT, GRADE 5, ZINC PLATED	2
17	GHW-0032	3/8"-16UNC X 2" LG CARRIAGE BOLT, SS	8
18	GHW-0032	1/8" NPT MALE GREASE ZERK FITTING	2
19	LHG-0000	LOWER HOPPER GATE WELDMENT	1
20	LHG-0007	SLIDE GATE GUIDE SPACER	3
21	LHG-0008	SLIDE GATE GUIDE PLATES	2
22	SSAW-0000	SS AUGER WELDMENT	1
23	SSHW-0000	LOWER STAINLESS STEEL HOPPER WELDMENT	1

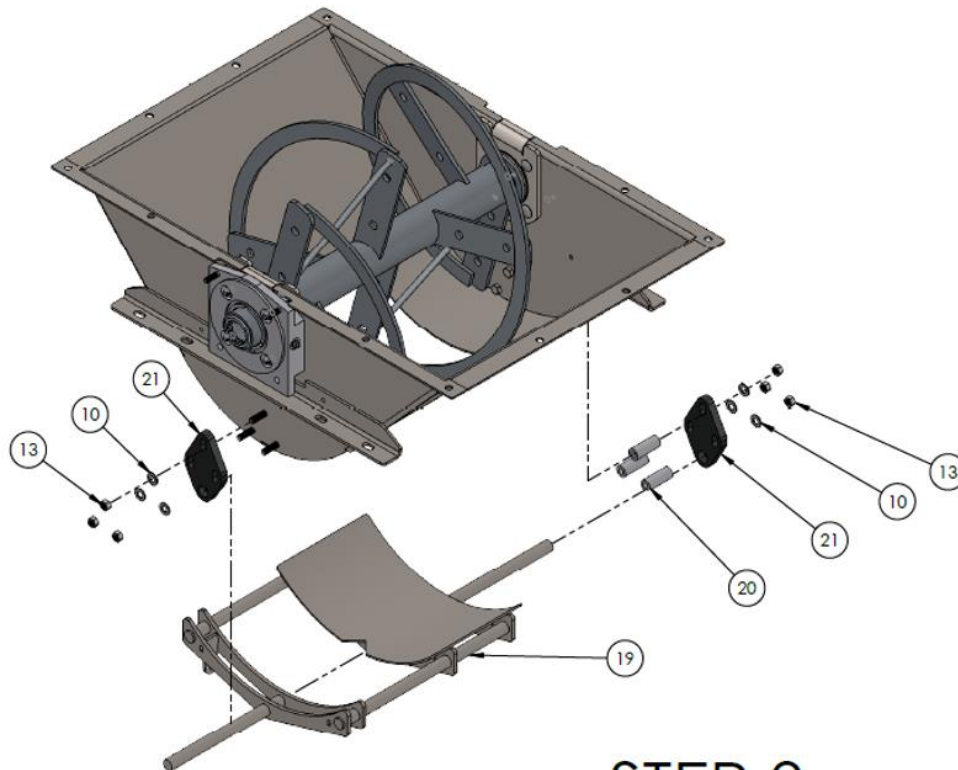
PARTS CATALOG



PARTS CATALOG

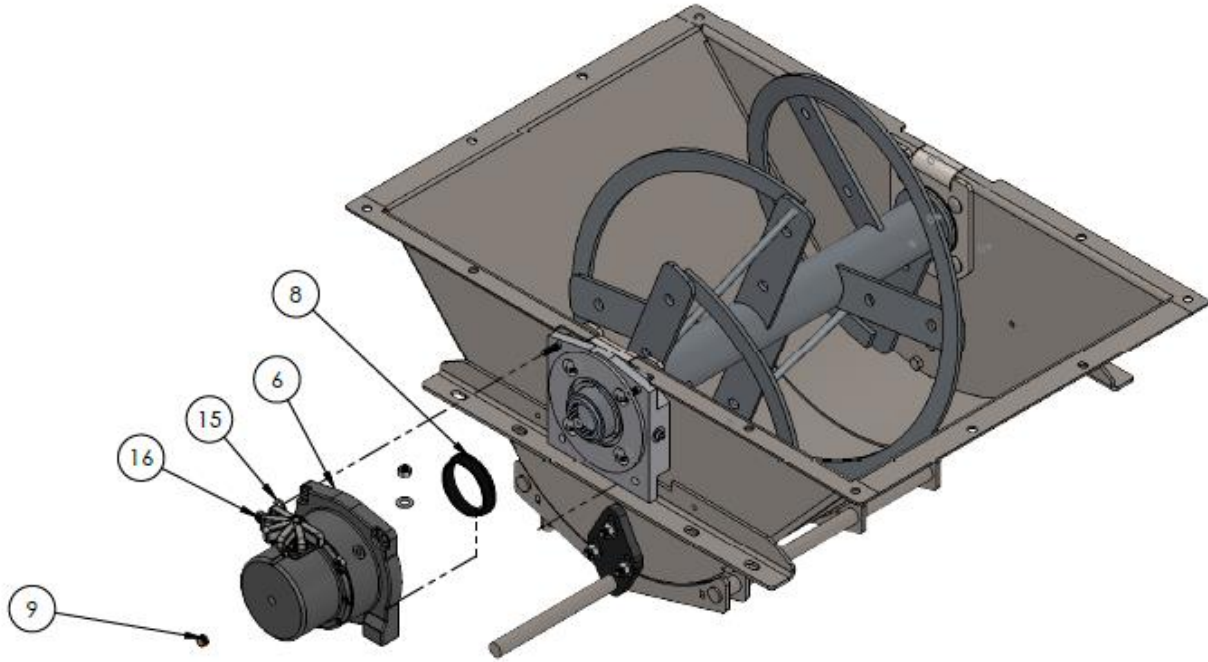


STEP 2



STEP 3

PARTS CATALOG



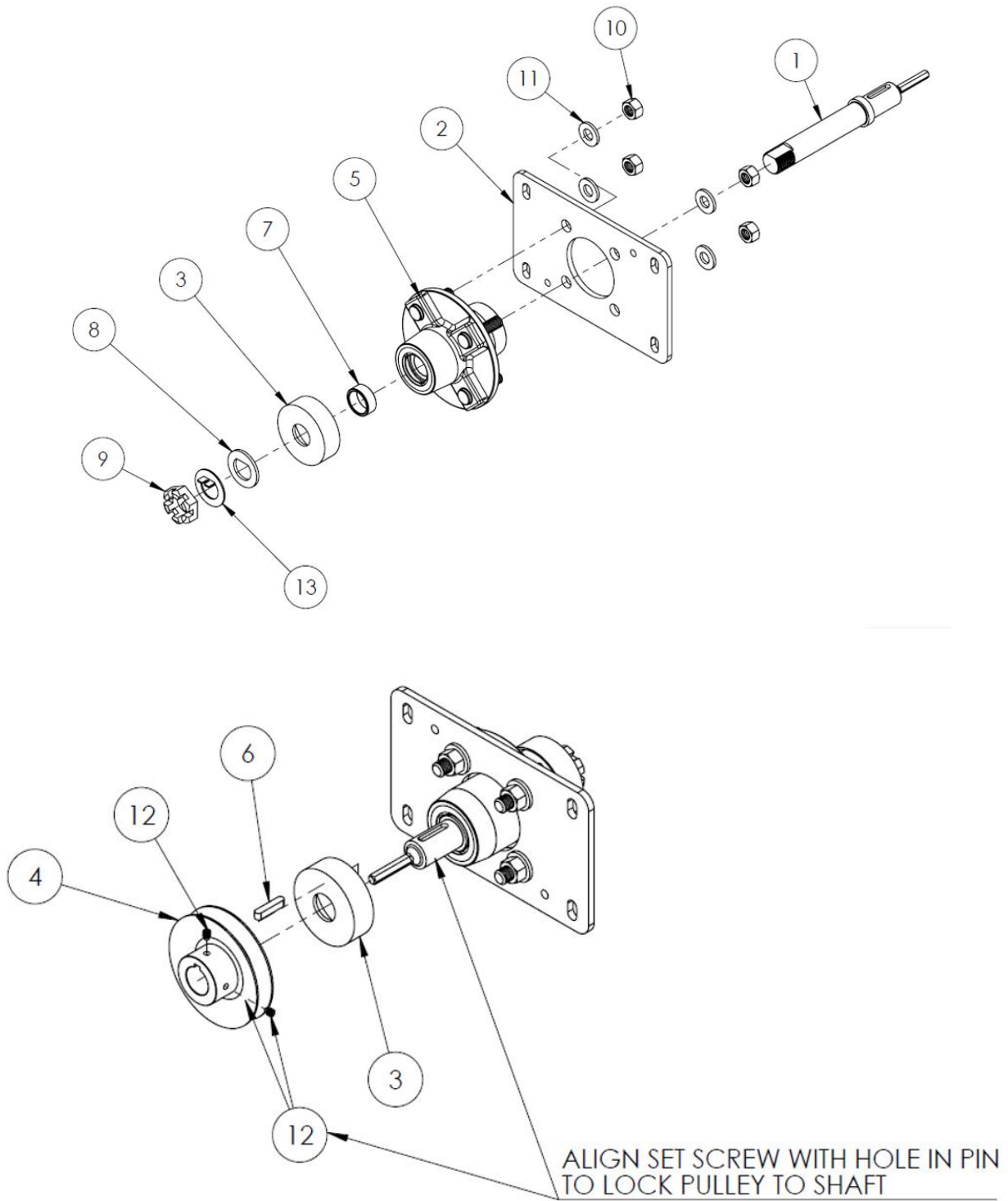
STEP 4

PARTS CATALOG

AUGER INPUT SHAFT

ITEM NO.	PART NO.	DESCRIPTION	QTY.
1	AISA-0002	AUGER INPUT SHAFT	1
2	AISA-0003	AUGER HUB MOUNTING PLATE	1
3	AISA-0004	HUB DUST SHIELD, ALUMINUM	2
4	AISA-0005	4" PULLEY WELDMENT FOR 1" KEYED SHAFT	1
5	AISA-0001	AUGER SHAFT HUB ASSEMBLY	1
6	AISA-0006	1/4" X 1/4" X 1 1/4" KEY, ROUNDED ENDS	1
7	AISA-0007	AUGER SHAFT SEAL SPACER	1
8	AISA-0008	TABBED WASHER FOR 1" SHAFT	1
9	AISA-0009	TABBED LOCK NUT FOR 1-14 UNC SHAFT	1
10	GHW-0011	1/2"-13 UNC HEX NUT, ZINC PLATED	4
11	GHW-0012	1/2" FLAT WASHER, ZINC PLATED	4
12	GHW-0013	1/4"-20 X 5/16" SET SCREW, EXTENDED POINT	2
13	AISA-0010	LOCKING TAB WASHER FOR 1" SHAFT	1

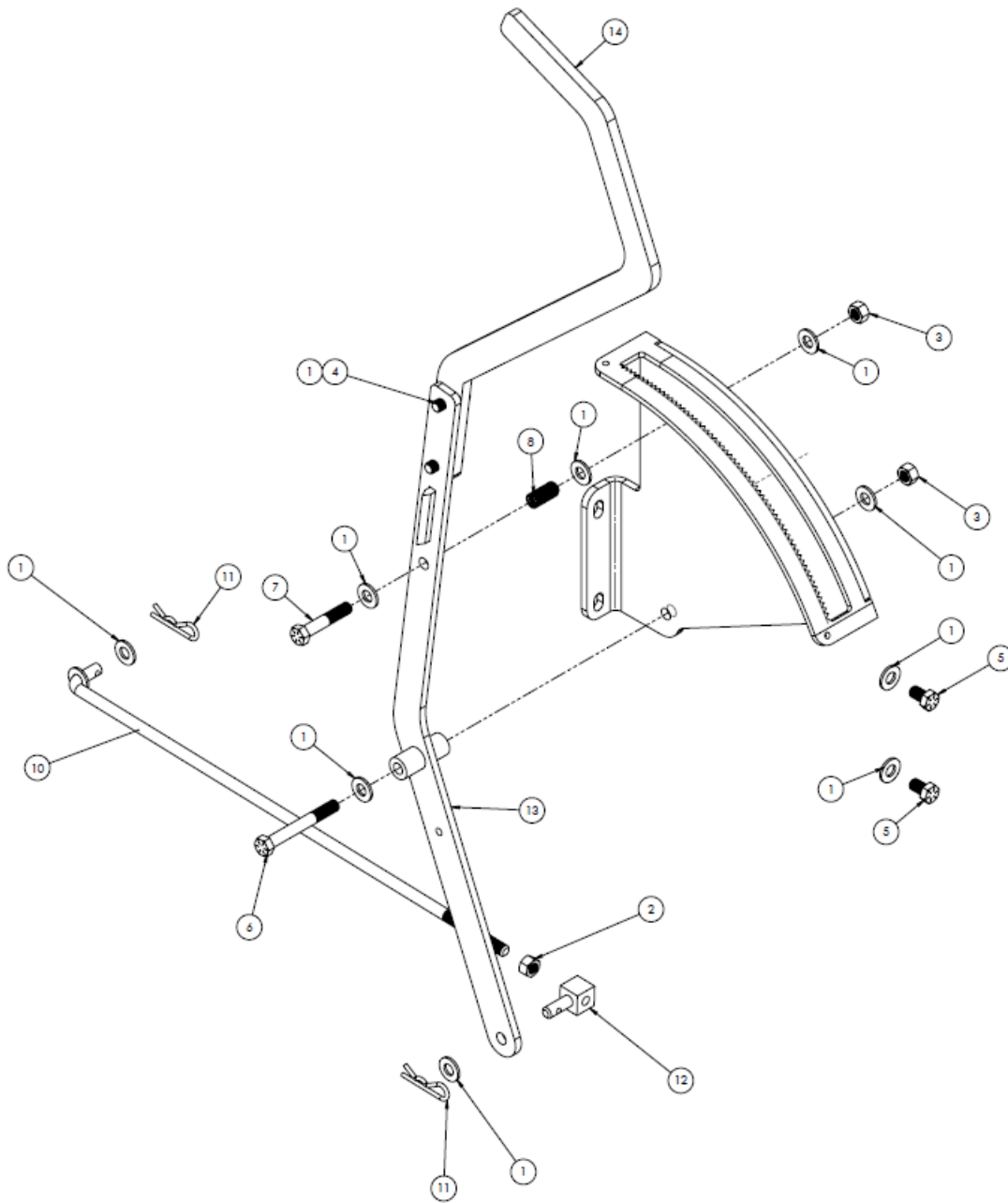
PARTS CATALOG



SLIDE GATE HANDLE COMPONENTS

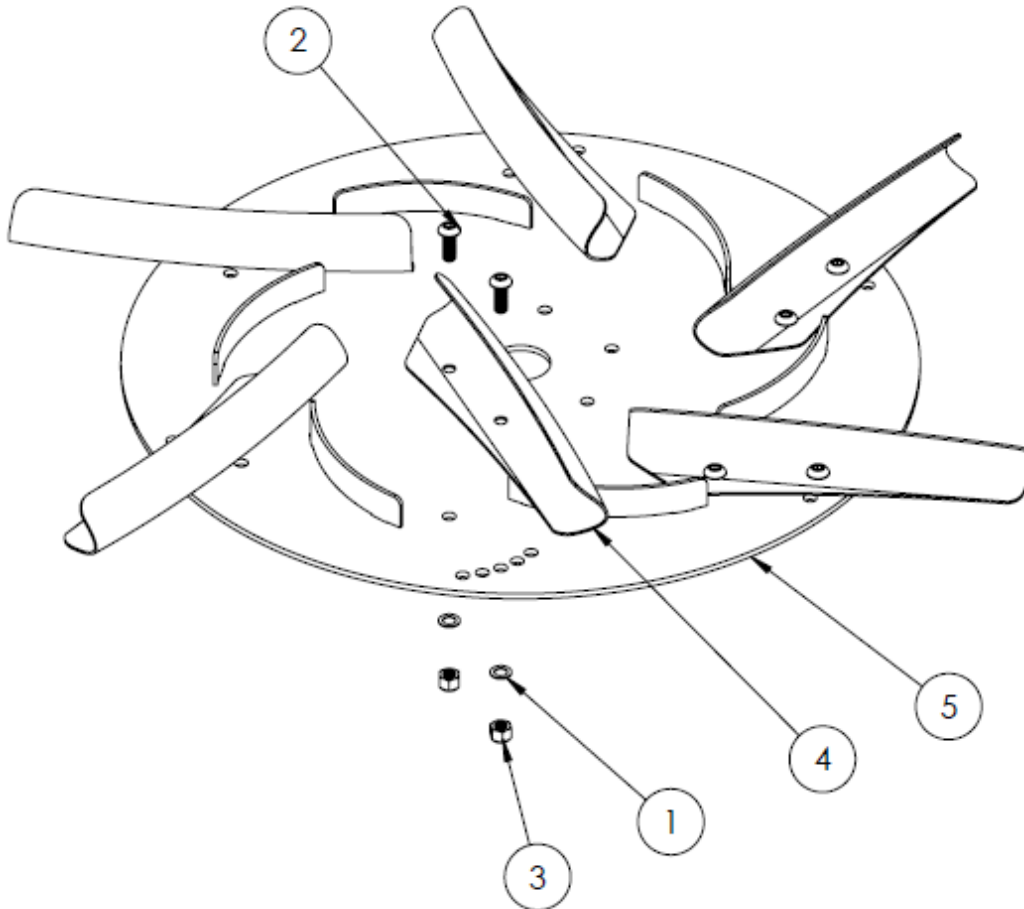
ITEM NO.	PART NO.	DESCRIPTION	QTY.
1	GHW-0001	3/8" FLAT WASHER, ZINC PLATED	11
2	GHW-0004	3/8"-16 UNC HEX NUT, 18-8 SS	1
3	GHW-0005	3/8"-16 UNC HEX NUT, GRADE 5, ZINC PLATE	2
4	GHW-0010	3/8"-16 UNC X 1" LG HEX BOLT, GRADE 5, ZINC PLATED	2
5	GHW-0017	3/8"-16UNC X 5/8" LG HEX BOLT, GRADE 5, ZINC PLATED	2
6	GHW-0018	3/8"-16UNC X 3" LG HEX BOLT, GRADE 5, ZINC PLATED	1
7	GHW-0022	3/8"-16 UNC X 2" LG HEX BOLT, GRADE 5, ZINC PLATED	1
8	GHW-0023	COMPRESSION SPRING, SLIDE LEVER	1
9	GLB-000	GATE LEVER BRACKET WELDMENT	1
10	GLL-0001	LOWER HOPPER GATE LINKAGE, WELDMENT	1
11	GLL-0003	COTTER PIN, 1/2"-3/4" DIAMETER, 1/8" WIRE, 18-8 SS	2
12	GLL-0004	LOWER HOPPER GATE LINKAGE END-LINK	1
13	GLW-000	GATE LEVER WELDMENT	1
14	GLW-004	GATE LEVER HANDLE	1

PARTS CATALOG



SLINGER PLATE COMPONENTS

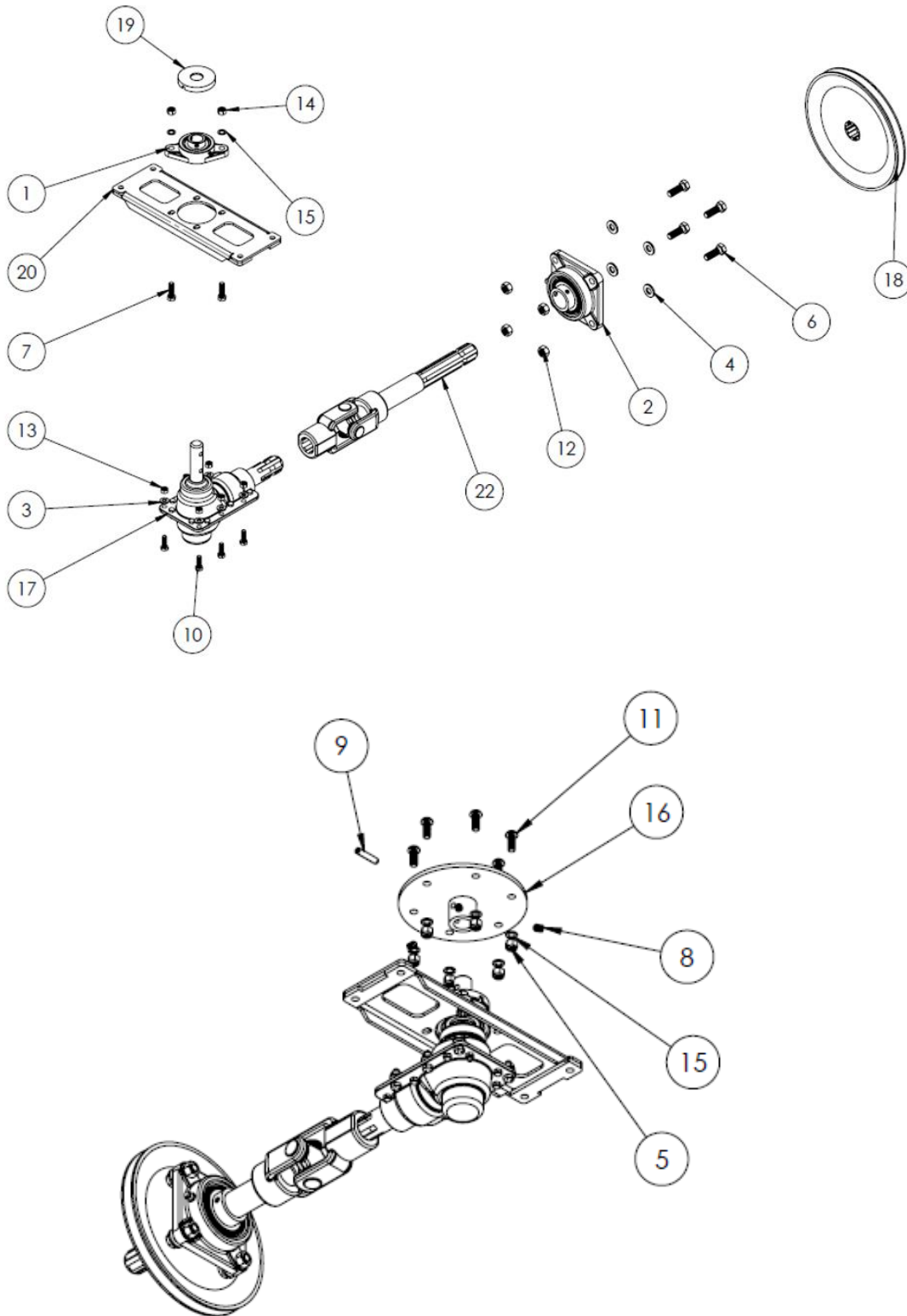
ITEM NO.	PART NO.	DESCRIPTION	QTY.
1	GHW-0003	3/8" FLAT WASHER, 18-8 SS	12
2	GHW-0019	3/8"-16 UNC X 1" LG BUTTON HEAD CAP SCREW, 18-8 SS	12
3	GHW-0021	3/8"-16 UNC NYLOC NUT	12
4	SPA-0001	SLINGER FINGER, FORMED	6
5	SPW-000	SLINGER PLATE WELDMENT	1



SLINGER PLATE INPUT SHAFT

ITEM NO.	PART NO.	DESCRIPTION	QTY.
1	GHW-0003	3/8" FLAT WASHER, 18-8 SS	8
2	GHW-0005	3/8"-16 UNC HEX NUT, GRADE 5, ZINC PLATE	2
3	GHW-0006	3/8"-16 UNC X 1 1/4" LG HEX BOLT, GRADE 5, ZINC PLATED	2
4	GHW-0008	5/16"-18UNC FLAT WASHER, ZINC PLATED	6
5	GHW-0009	5/16"-18 UNC HEX NUT, GRADE 5, ZINC PLATED	6
6	GHW-0012	1/2" FLAT WASHER, ZINC PLATED	4
7	GHW-0014	5/16"-18 UNC X 1" LG HEX BOLT, ZINC PLATED	6
8	GHW-0015	1/2"-13 UNC HEX BOLT, GRADE 5, ZINC PLATED	4
9	GHW-0016	1/2"-13UNC X 1 1/2" LG HEX BOLT, GRADE 5, ZINC PLATED	4
10	GHW-0019	3/8"-16 UNC X 1" LG BUTTON HEAD CAP SCREW, 18-8 SS	6
11	GHW-0020	FLANGE BEARING, 4 BOLT, 1 1/2" BORE MCMASTER#5967K88	1
12	GHW-0021	3/8"-16 UNC NYLOC NUT	6
13	GHW-0027	SLINGER GEARBOX SUPPORT BEARING	1
14	GHW-0036	3/8"-24 UNF X 3/8" LG SET SCREW	3
15	GHW-0037	SLINGER ADAPTER ROLL PIN	1
16	SAW-000	SLINGER ADAPTER WELDMENT	1
17	SGB-0001	SLINGER GEARBOX, COSMOS	1
18	SISA-0001	10" LOWER PULLEY WELDMENT, WITH 6 - SPLINED HUB	1
19	SISA-0002	LOWER BEARING HUB DUST SHIELD, ALUMINUM	1
20	SISA-00031	SLINGER BEARING REAR SUPPORT	1
21	SISA-00032	SPACER PLATE, SLINGER GEARBOX BEARING MOUNT	2
22	SSW-0000	SLINGER SHAFT EXTENSION WELDMENT	1

PARTS CATALOG



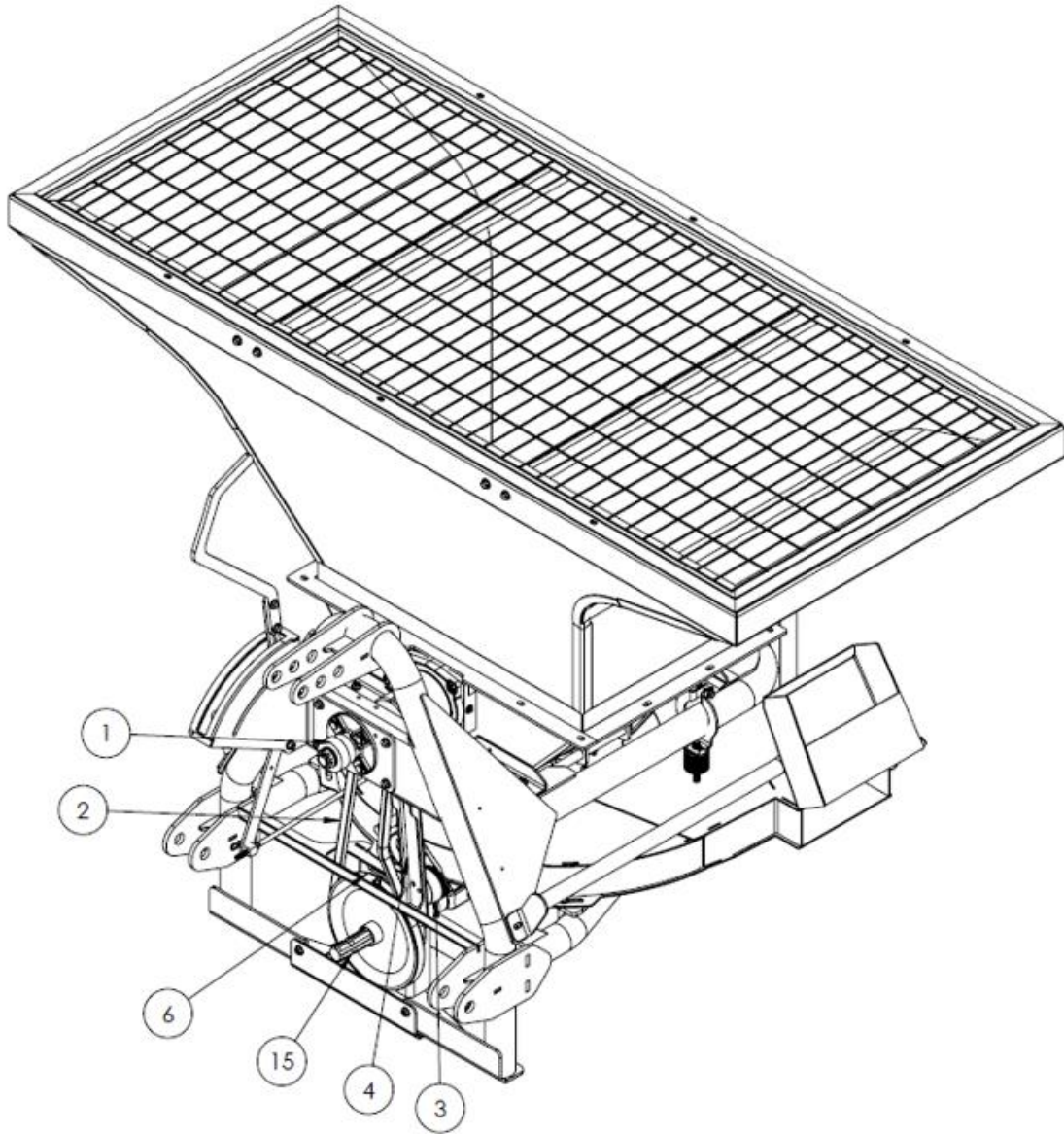


PARTS CATALOG

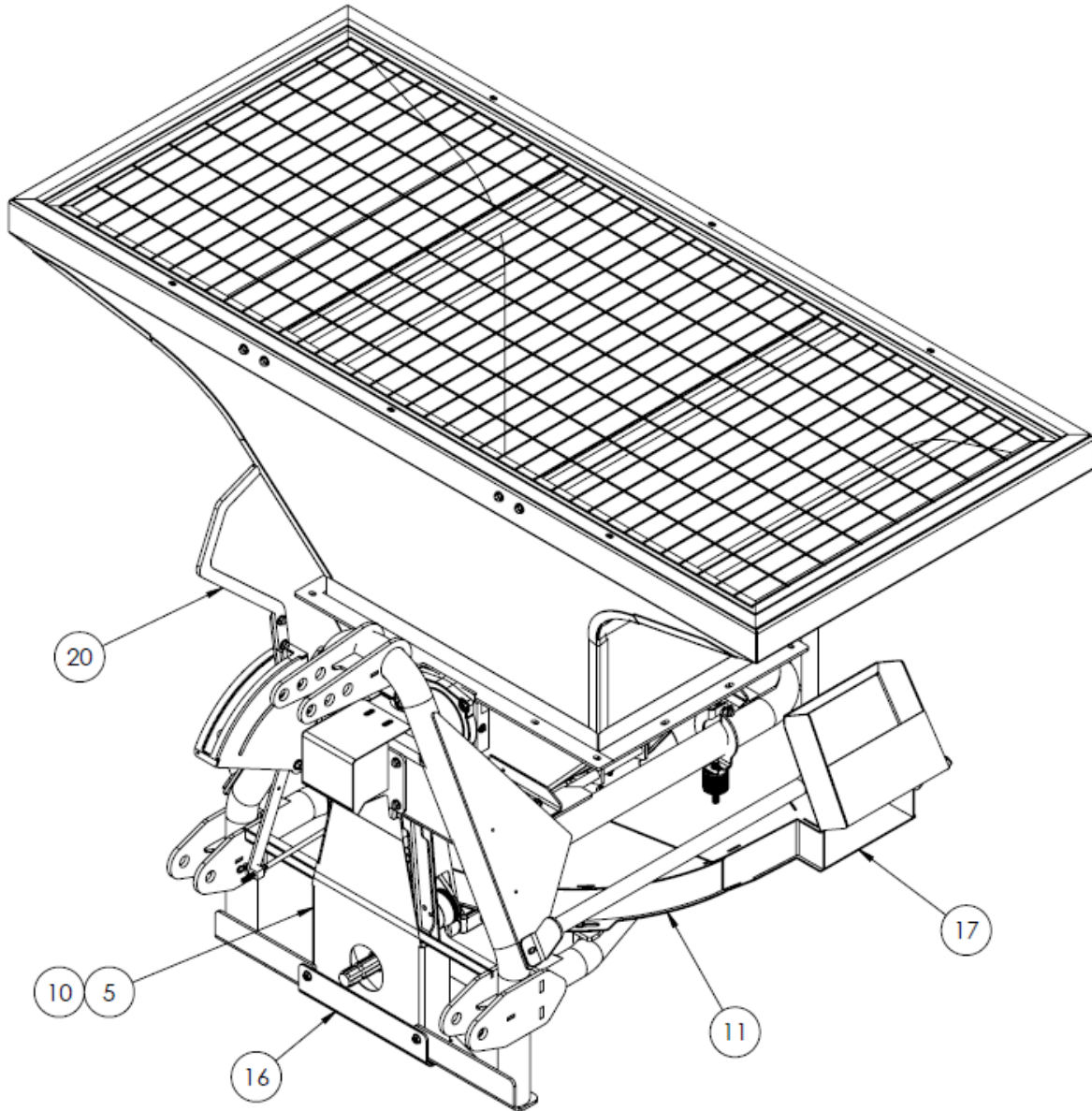
ACCESSORIES, MAINFRAME AND OTHER COMPONENTS

ITEM NO.	PART NO.	DESCRIPTION	QTY.
1	AISA-0000	AUGER INPUT SHAFT ASSEMBLY	1
2	BLT-0001	DRIVE BELT, 5V X 59" LG	1
3	BT-0001	BELT TENSIONER, DURALAST	1
4	BTB-0000	BELT TENSIONER BRACKET	1
5	FBG-0000	FRONT BELT GUARD WELDMENT	1
6	LBPS-0001	LOWER BELT PULLEY SCRAPER	1
7	LHSA-0000	LOWER HOPPER SUB ASSEMBLY	1
8	LTAA-0000	LEFT THROW ATTACHMENT ACCESSORY PACKAGE	1
9	MFW-0000	SPREADER MAIN FRAME WELDMENT	1
10	RBG-0000	REAR BELT GUARD WELDMENT	1
11	SFSW-0000	SLINGER SHIELD WELDMENT	1
12	SHP-0000	SAFETY HOOP WELDMENT	1
13	SHRG-0002	STANDARD HOPPER ROCK GUARD ASSEMBLY	1
14	SHW-0000	STANDARD HOPPER ASSEMBLY	1
15	SISA-0000	SLINGER INPUT SHAFT SUB-ASSEMBLY	1
16	SJCP-0000	STUMP JUMPER COVER PLATE WELDMENT	1
17	SSBA-0000	BAND SPREADER ACCESSORY PACKAGE	1

PARTS CATALOG



PARTS CATALOG



PARTS CATALOG

